

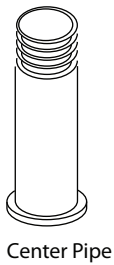
THE Giant Flag INSTALLATION INSTRUCTIONS

WARNING

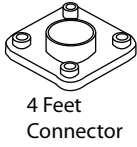
DO NOT ATTEMPT TO INSTALL OR USE THE GIANT FLAG BEFORE READING THE FOLLOWING.

The Giant Flag Units and Parts are not to be used for horseplay. Use caution when setting up and installing The Giant Flag. **IMPORTANT:** Always wear protective goggles and gloves when handling and installing The Giant Flag!

Rev. 3.24.2011



Center Pipe



4 Feet Connector



2 Feet connector



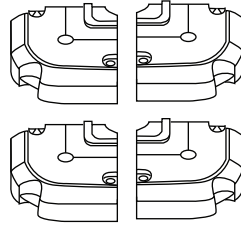
Fixing Bolt



Clip



Cap



4 Piece water tank



Big Hook



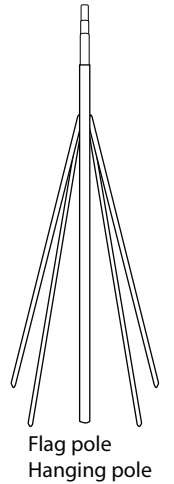
Fixing Bolt



Fixing ring of the hook



Small Hook

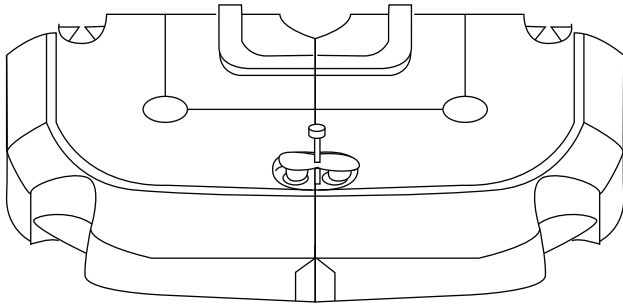


Flag pole
Hanging pole

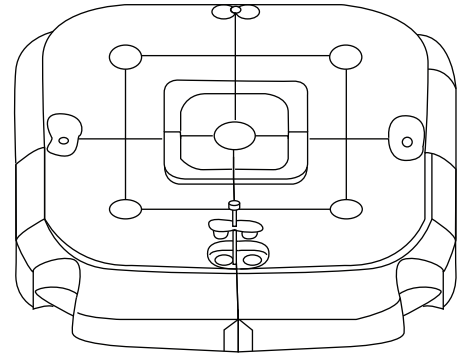


Connector

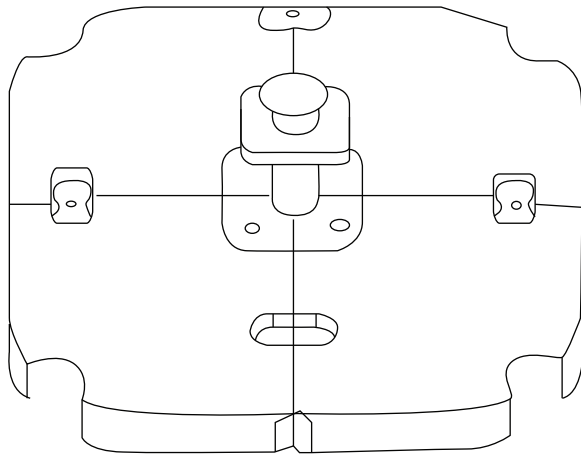
- Take two water tanks side by side, put a 2-foot connector in the top groove and another in the bottom groove, then use a screw to lock the two 2-foot connectors, so that the two water tanks can be fixed together.



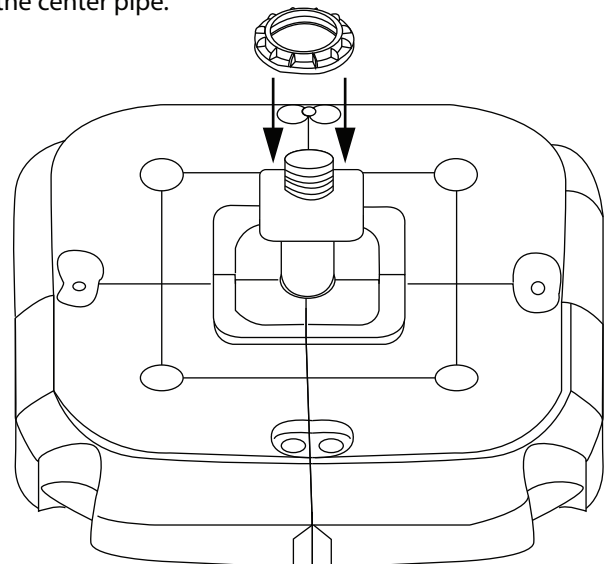
- Assemble the rest of the parts the same way as step 1, this will result in the construction of a water base system.



- Overturn the water tank base, put a 4-foot connector in the center groove, use a center pipe to connect the 4-foot connector and the water tank base, Please note that the thread-sided part of the center pipe must be down to the top of the overturned water tank base, as the picture shows.



- Turn the water tank base right side up, put another 4-foot connector into the top of the water tank base, then screw the cap on the center pipe.



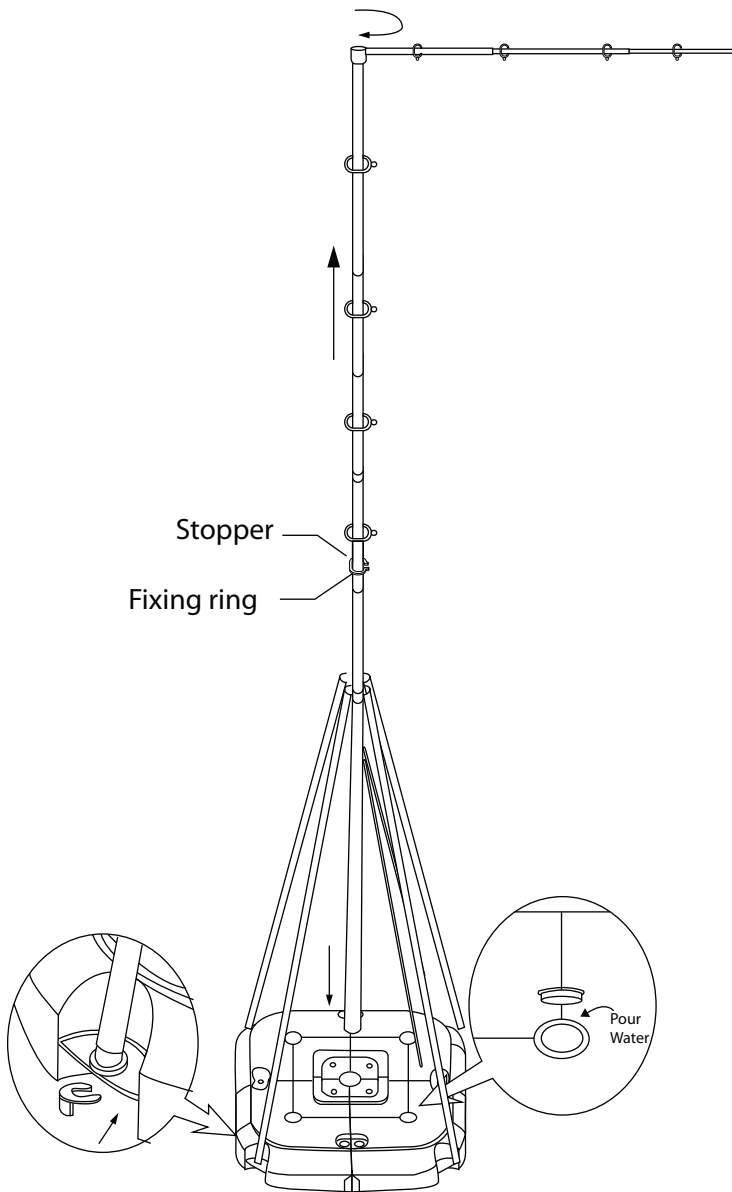
THE Giant Flag INSTALLATION INSTRUCTIONS

WARNING

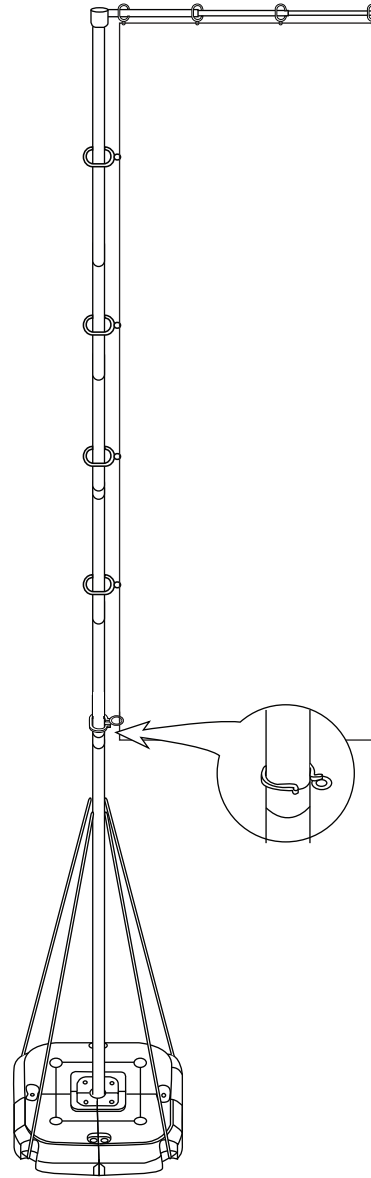
DO NOT ATTEMPT TO INSTALL OR USE THE GIANT FLAG BEFORE READING THE FOLLOWING.

The Giant Flag Units and Parts are not to be used for horseplay. Use caution when setting up and installing The Giant Flag. **IMPORTANT:** Always wear protective goggles and gloves when handling and installing The Giant Flag!

Rev. 3.24.2011



- 5** Insert the flagpole into the center pipe as the drawing shows, put the poster on the flagpole, then pull up the telescopic pole to its maximum height.



- 6** Clip the fixing ring to the second section of the pole (from bottom to top) use the fixing ring to fix the downmost big hook to avoid any move from the wind.

- !**
1. When assembling water tanks, be sure to follow the instructions, otherwise you may find difficulty to assemble the whole water tank base.
 2. Each water tank can be filled to a maximum of 18 liters of water, please pour the water as requested for stability.
 3. If the flagpole is used outdoors, please consider the wind-force. If the wind-force is over 7 grades we suggest moving the flagpole indoors to avoid any accident.

We are not responsible for accidents due to a result of use and/or misuse of The Giant Flag. This product is designed for advertising only, do not over load or use for any other purpose. Not responsible for any accidents due to assembly, or any assembly errors. Not be responsible for the natural breakdown of materials that occurs inevitably with extended use or defects caused by accident, abuse, alteration, environmental damage, misuse or improper care.